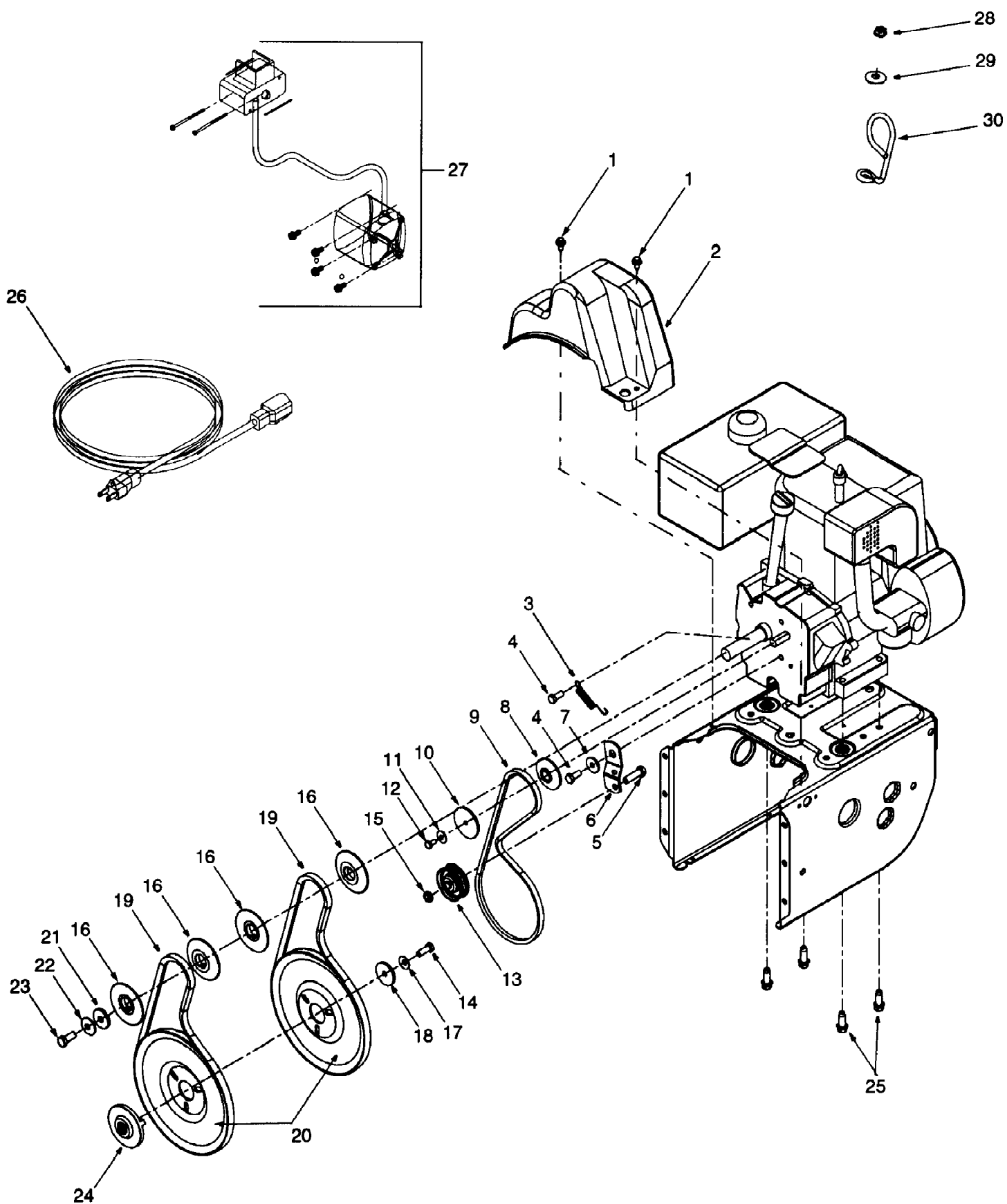


31AH7E3F190 Snow Boss 950T (2000)
Blower Housing

Page 2 of 14

Ref #	Part Number	Qty	S/P/F	Description
1	712-0116	1	S	Lock Jam Nut 3/8-24
2	756-0178	1		Flat Idler
3	784-5632A	1	S	Auger Idler Arm
4	710-0459A	1	/P	Hex Cap Screw 3/8-24 x 1.50
5	738-0281	1	S	Shoulder Screw
6	736-0174	1	/P	Wave Washer
7	732-0611	1	S	Extension Spring
8	712-3068	1	S	Hex Nut 5/16-18
9	710-0276	1	/P	Carriage Bolt, 5/16-18 x 1.00
10	736-0119	1	S	Lock Washer 5/16
11	05931	1	S	Housing
12	741-0309	1	S	Ball Bearing
13	710-0451	1	/P	Carriage Bolt, 5/16-18 x.75
14	705-5226	1		Chute Reinforcement
15	684-0055B	1	S	30" Housing Assy (For model 1150T)
	684-0040C	1	S	26" Housing Assy (For model 950T)
16	712-3010	1	S	Hex Nut 5/16-18
17	712-0429	1	S	Lock Nut 5/16-18
18	736-0242	1	/P	Belleville Washer
19	736-0231	1	S	Flat Wshr, .344 ID x 1.125 OD
20	737-3000	1	S	Grease Fitting, 3/16" Drive
21	731-1379A	1	S	Chute Adapter
22	712-0324	1	/P	Hex Lock Nut 1/4-20
23	736-0463	1	S	Flat Washer
24	784-0399	1	S	Bearing Housing w/Fitting
25	710-0703	1	/P	Carriage Screw 1/4-20 x .75
26	710-0604	1	S	Hex Screw 5/16-18
27	736-0169	1	S	Lock Washer 3/8
28	712-0798	1	/P	Hex Nut 3/8-16
29	741-0245	1	S	Hex Flange Bearing
30	784-5038B	1	S	Skid Shoe
31	736-0242	1	/P	Bell Washer
32	712-3010	1	S	Hex Nut 5/16-18
33	784-5575	1	S	Shave Plate (For model 1150T)
	784-5579A	1	S	Shave Plate (For model 950T)
34	710-0260	1	S	Carriage Bolt 5/16-18 x .62
35	684-0065	1	S	Impeller Assembly
36	715-0114	1	S	Pin
37	618-0417	1	S	30" Gear Assy (For model 1150T)
	618-0415	1	S	26" Gear Assy (For model 950T)
38	605-5248A	1	S	30" Spiral RH (For model 1150T)
	605-5192A	1	S	26" Spiral RH (For model 950T)
39	736-0188	1	/P	Flat Washer
40	741-0493A	1	/P	Flange Bushing
41	605-5249A	1	S	30" Spiral LH (For model 1150T)
	605-5193A	1	S	26" Spiral LH (For model 950T)
42	710-0890A	1	/P	Shear Bolt 5/16-18 x 1.5

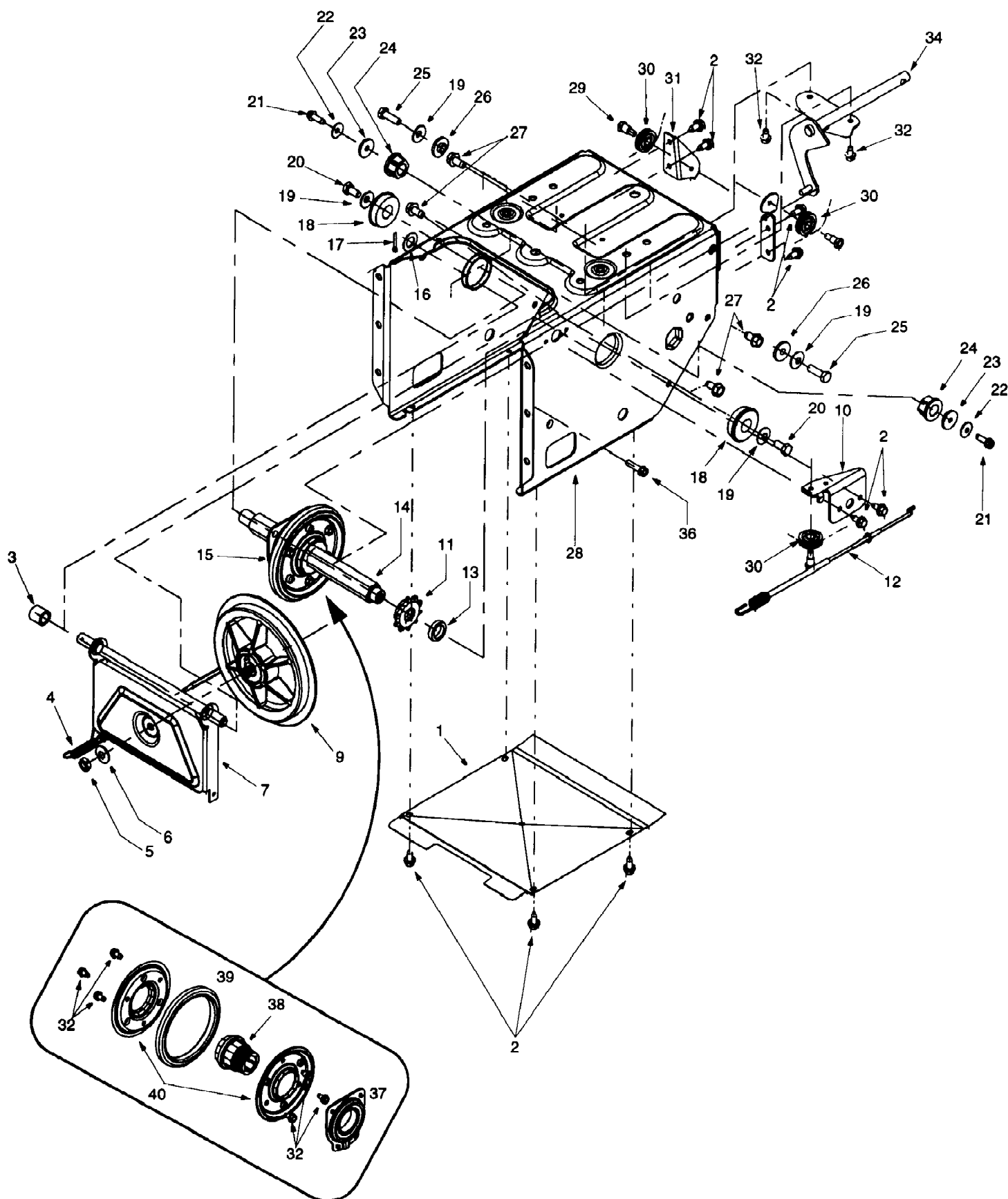
31AH7E3F190 Snow Boss 950T (2000)
Drive Belts And Start Kit



31AH7E3F190 Snow Boss 950T (2000)
Drive Belts And Start Kit

Page 4 of 14

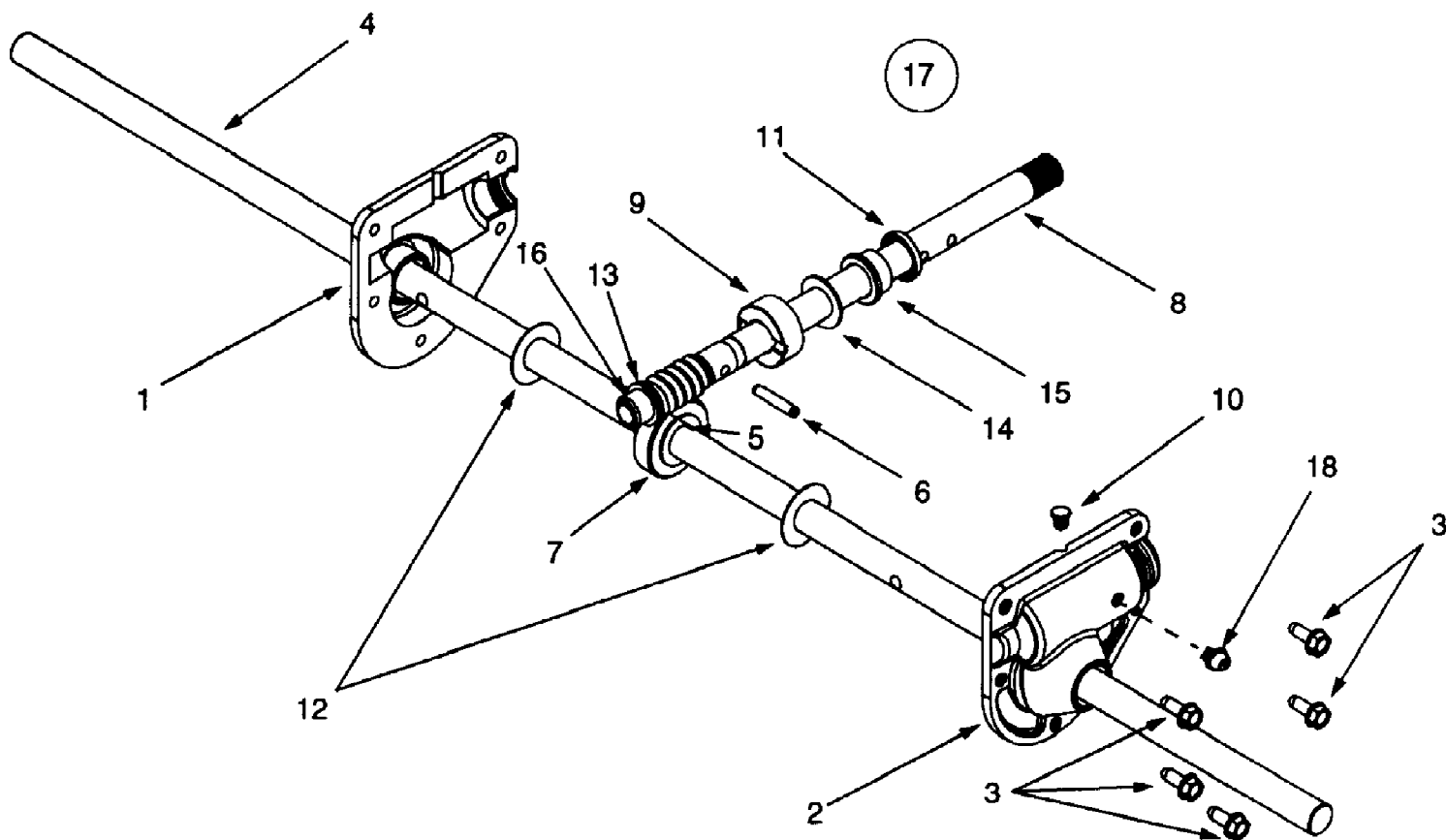
Ref #	Part Number	Qty	S/P/F	Description
1	710-1652	1	/P	Hex Washer Screw 1/4-20 x .625
2	731-1324	1		Belt Cover
3	732-0710	1	S	Extension Spring
4	710-0627	1	/P	Hex Screw 5/16-24 x .75
5	710-3005	1	/P	Hex Cap Screw 3/8-16 x 1.25
6	05896A	1		Drive Clutch Idler Bracket
7	748-0234	1	/P	Shoulder Spacer
8	756-0987	1	S	Pulley Half
9	754-0346	1	S	V-Belt
10	756-0986	1		Pulley Half
11	736-0270	1	/P	Bell Washer
12	710-0230	1	/P	Hex Cap Screw 1/4-28 x.50
13	756-0313	1	/P	Flat Idler
14	710-1245	1	/P	Lock Hex Cap Screw 5/16-24
15	712-0181	1	S	Lock Jam Nut 3/8-16
16	756-0569	1		Pulley Half
17	736-0242	1	/P	Bell Washer
18	736-0505	1		Flat Washer
19	754-0430A	1	S	Belt
20	756-0967	1		Auger Pulley
21	736-0247	1	/P	Flat Washer 3/8 x 1.25 OD
22	736-0331	1	/P	Bell Washer
23	710-0696	1	/P	Hex Cap Screw 3/8-24
24	748-0360	1	S	Adapter Pulley
25	710-0654A	1	/P	Hex Screw 3/8-16 x 1.0
26	629-0071	1	S	Extension Cord
27	OEM-390-987	1	S	Electric Start Kit
28	712-0324	1	/P	Lock Nut, 1/4-20
29	736-0173	1	/P	Flat Washer, .28 x .74 x .063
30	732-0705	1		Cable Guide



31AH7E3F190 Snow Boss 950T (2000)
Frame Assembly / Drive

Page 6 of 14

Ref #	Part Number	Qty	S/P/F	Description
1	784-5684	1		Frame Cover
2	710-1652	1	/P	Tap Screw, 1/4-20 x .625
3	748-0190	1	/P	Spacer, .508 ID x .75 OD x .68
4	732-0264	1	S	Ext. Spring
	746-0898	1	S	Drive Cable, 39.88"
5	712-0711	1	/P	Jam Nut, 3/8-24
6	736-0105	1	/P	Bell Washer, .401 x .87 x .063
7	684-0021	1	S	Friction Wheel Support Bracket Assy
9	656-0012A	1	S	Friction Disc
10	784-5689A	1	S	Front Support Guide Bracket
11	713-0413	1		Ten-Tooth Sprocket
12	746-0897	1	S	Auger Cable, 44.75"
13	750-0997	1	S	Spacer, .675 ID x 1 OD x .23
14	711-1042	1		Hex Track Shaft
15	684-0042B	1	S	Friction Wheel Assembly
16	736-0160	1	S	Flat Washer, .536 ID x .93 OD x .05
17	714-0474	1	S	Cotter Pin
18	741-0563	1	S	Ball Bearing
19	736-0242	1	/P	Bell Washer, .34 ID x .872 OD
20	710-0538	1	/P	Hex Cap Screw, 5/16-18 x .625
21	710-0857	1	S	Tap Screw, 1/4-20 x .75
22	736-0270	1	/P	Bell Washer, .265 x .75 x .062
23	736-0176	1	S	Flat Washer, 1/4 ID x .93 OD x .12
24	741-1111	1		Hex Flange Bearing
25	710-0643	1	/P	Hex Cap Screw, 5/16-18 x 1
26	748-0234	1	/P	Shoulder Spacer
27	710-0604	1	S	Tap Screw, 5/16-18 x .625
28	684-0031	1	S	Frame Assembly
29	738-0924	1	S	Spacer
30	756-0625	1		Cable Roller
31	784-5688	1	S	Drive Cable Guide Bracket
32	710-0599	1	/P	Tap Screw, 1/4-20 x .5
?33	784-5590	1		Shift Frame Bracket
34	684-0014B	1	S	Shift Rod Assembly
?35	784-5687	1	S	Auger Cable Guide Bracket
36	710-0788	1	/P	Tap Screw, 1/4-20 x 1
37	618-0063	1		Friction Wheel Bearing
38	718-0301A	1	S	Friction Wheel Hub
39	735-0243	1	S	Friction Wheel Rubber
40	784-5617A	1	S	Friction Plate

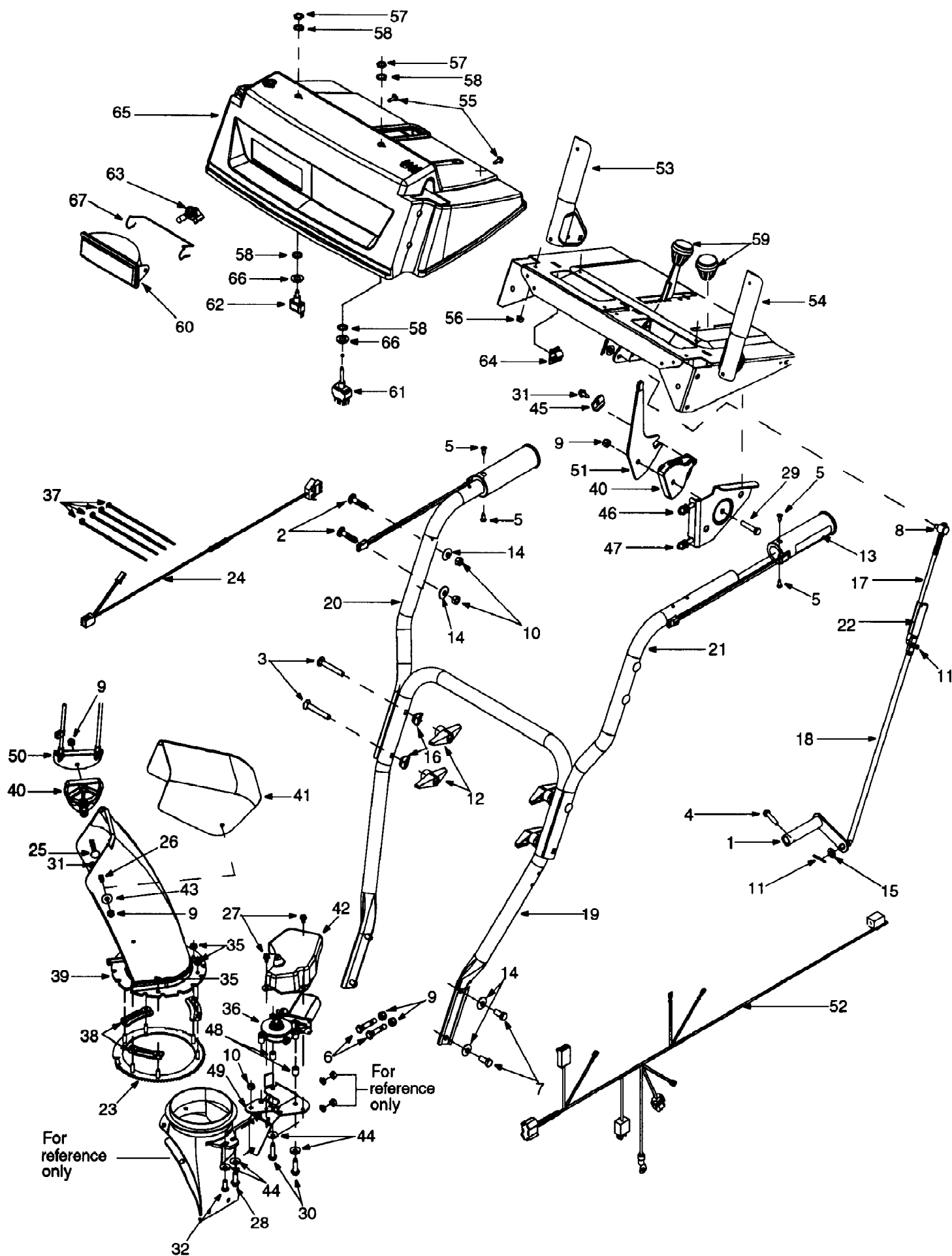


31AH7E3F190 Snow Boss 950T (2000)
Gear Assembly

Page 8 of 14

Ref #	Part Number	Qty	S/P/F	Description
1	618-0123	1	S	RH Housing (Incl. Ref. 17, 18)
2	618-0418	1	S	LH Housing w/Fitting (Incl. Ref. 17, 18)
3	710-0642	1	/P	Self Tapping Screw, 1/4-20 x .75
4	711-1024	1	S	Spiral Axle, 30" (For model 1150T)
	711-0909	1	S	Spiral Axle, 26" (For model 950T)
5	714-0161	1	S	Hi-Pro Key, 3/16 x 5/8
6	715-0143	1	S	Spring Spiral Pin, .25 x 1.25
7	717-0528	1	S	Worm Gear, 20-tooth
8	717-0526	1		Worm Shaft
9	718-0186	1		Thrust Collar
10	721-0325	1		Grease Plug
11	721-0327	1		Grease Seal
12	736-0351	1	S	Flat Washer, .76 x 1.5 x .030
13	736-0369	1	S	Flat Washer, .508 x 1.0 x .020
14	736-0445	1	S	Flat Washer, .76 x 1.5 x .060
15	741-0662	1		Flange Bearing, .75 x 1.0 x .59
16	741-0663	1		Flange Bearing, .503 ID x .75 OD
17	618-0417	1	S	Gear Assy Complete, 30" (For model 1150T)
	618-0415	1	S	Gear Assy Complete, 26" (For model 950T)
18	737-3000	1	S	Grease Fitting, 3/16" Drive
	737-0168	1	S	Grease (Two Ounces)

31AH7E3F190 Snow Boss 950T (2000)
Handle Assembly And Chute



31AH7E3F190 Snow Boss 950T (2000)
Handle Assembly And Chute

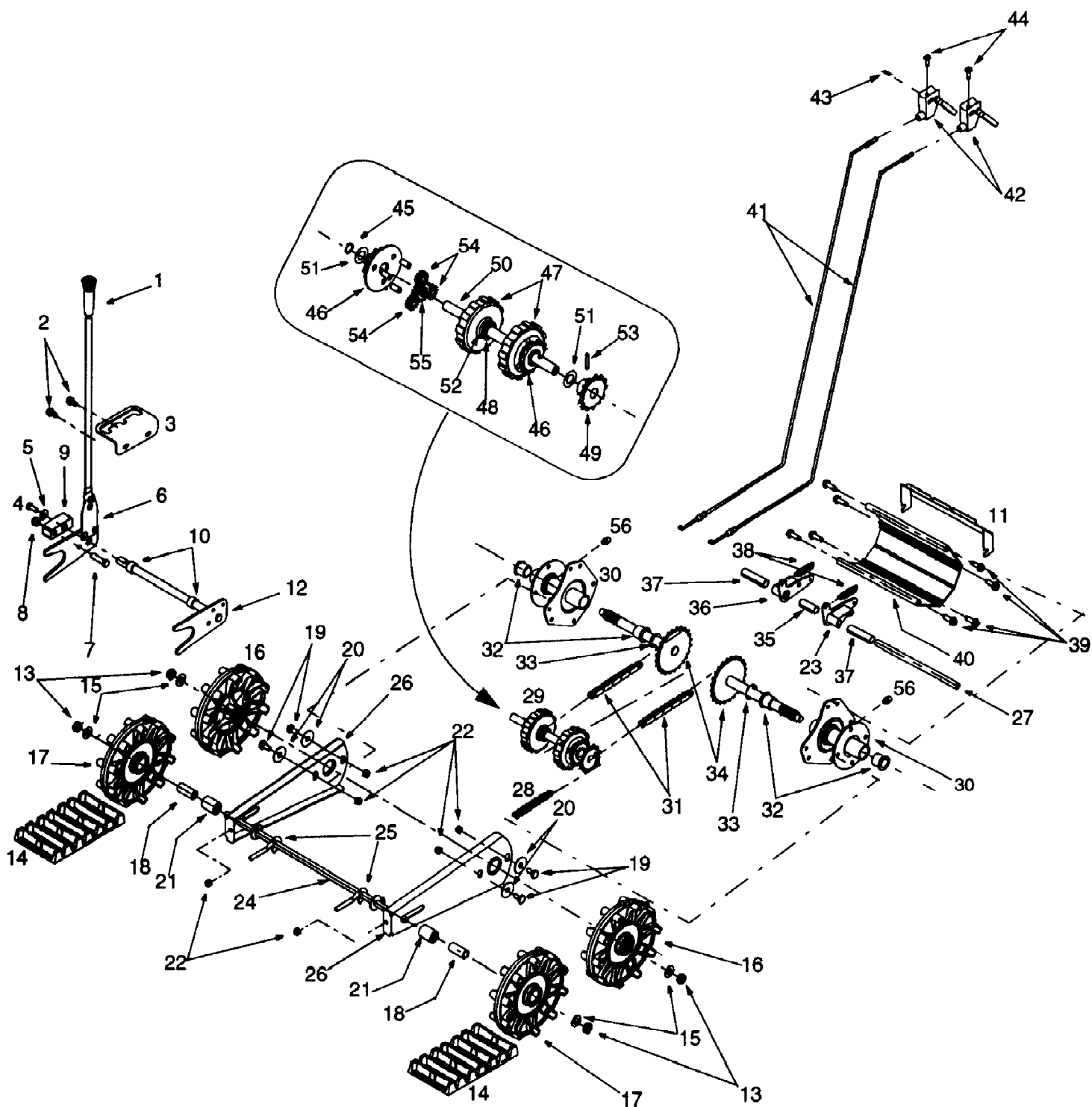
Page 10 of 14

Ref #	Part Number	Qty	S/P/F	Description
1	684-0008A	1	S	Shift Arm Assembly
2	710-0262	1	/P	Carriage Bolt 5/16-18 x 1.5"
3	710-0449	1	S	Carriage Bolt 5/16-18 x 2.25"
4	710-0788	1	/P	TT Screw 1/4-20 x 1"
5	710-0837	1		C-Sunk Screw #10-16 x 0.625"
6	710-0890A	1	/P	Shear Bolt 5/16-18 x 1.5"
7	710-3008	1	/P	Hex Screw 5/16-18 x.75"
8	711-0677	1	S	Ferrule
9	712-0429	1	S	Hex Lock Nut 5/16-18
10	712-3010	1	S	Hex Nut 5/16-18
11	714-0104	1	S	Cotter Pin
12	720-0284	1	S	Handle Knob
13	725-1757	1		Heated Grip
14	736-0242	1	/P	Belleville Washer
15	736-0275	1	S	Flat Washer
16	736-0451	1	S	Saddle Washer
17	747-0620A	1	/P	Shift Rod: Upper
18	747-0621	1		Shift Rod: Lower
19	749-0951	1		Lower Handle
20	749-0952A	1	/P	Upper Handle: L Style RH
21	749-0953A	1	/P	Upper Handle: L Style LH
22	750-0963	1	S	Connector: Shift Rod
23	618-0419	1		Gear Assembly: Ring
24	629-0937	1		Electric Harness: Lower
25	710-0262	1	/P	Carriage Bolt: 5/16-18 x 1.5"
26	710-0451	1	/P	Carriage Bolt: 5.16-18 x .750"
27	710-0599	1	/P	TT Screw: 1/4-20 x 0.5"
28	710-0602	1	/P	TT Screw: 5/16-18 x 1"
29	710-0805	1	/P	Hex Screw: 5/16-18 x 1.5"
30	710-0817	1		TT Screw: 5/16-18 x 1.25"
31	710-0896	1	/P	Hex Screw AB:1/4-14 x 0.625"
32	710-3008	1	/P	Hex Screw: 5/16-18 x .75"
35	712-3027	1	S	Hex Flange Lock Nut
36	724-0249	1	S	Electric Motor: Chute Crank
37	725-0157	1	/P	Cable Tie
38	731-0851A	1	/P	Chute Flange Keeper
39	731-1300A	1	S	Lower Chute
40	731-1313C	1	/P	Cable Guide: Chute Tilt
41	731-1320	1	S	Upper Chute
42	731-2279	1		Motor Cover: Chute Rotation
43	736-0159	1	S	5/16 Washer
44	736-0242	1	/P	Belleville Washer
45	736-0506	1	S	Special Washer
46	746-0896	1	S	Control Cable
47	746-0901	1	S	Control Cable
48	750-1232	1		Spacer
49	782-0599	1		Motor Bracket
50	784-5594	1		Cable Bracket
51	784-5604	1	S	Handle: Chute Tilt
52	629-0936	1	S	Harness Assembly: Upper
53	684-0036	1	S	Handle Assembly RH
54	684-0037	1	S	Handle Assembly LH
55	710-1003	1	/P	Shift Rod: Upper Screw

31AH7E3F190 Snow Boss 950T (2000)
Handle Assembly And Chute

Page 11 of 14

Ref #	Part Number	Qty	S/P/F	Description
56	712-0271	1	/P	Hex Sems Nut: 1/4-20
57	712-0693	1	/P	Hex Nut
58	716-0398	1		Lock Ring: Toggle Switch
59	720-0232	1	S	Shift Knob
60	725-1672	1	S	Lamp Housing
61	725-1755	1	S	Toggle Switch: Double Throw
62	725-1756	1	S	Toggle Switch: Single Throw
63	725-1759	1	S	Halogen Lamp: 50W, 12V
64	726-0152	1		Mounting Clamp
65	731-2276	1		Handle Panel
66	736-0226	1	S	Flat Washer
67	747-1136	1	/P	Headlight Retainer



31AH7E3F190 Snow Boss 950T (2000)
Track Assembly And Drive

Page 13 of 14

Ref #	Part Number	Qty	S/P/F	Description
1	720-0223	1		Grip
2	710-0604	1	S	Tap Screw, 5/16-18 x.625
3	784-5642	1		Track Lockout Plate
4	710-0157	1	/P	Hex Cap Screw, 5/16-24 x .75
5	736-0242	1	/P	Bell Washer, .34 ID x .872 OD
6	684-0038	1	S	Track Lock Handle Assembly
7	710-0459A	1	/P	Hex Cap Screw, 3/8-24 x 1.5
8	712-0214	1	S	Hex Nut, 3/8-24
9	748-0353A	1		Lift Shaft Drive
10	750-0547	1		Spacer, .628 ID x .875 OD x .5
11	784-5609	1		Steering Cable Bracket
12	684-0009	1		Track Pivot Rod Assembly
13	712-0346	1	S	Jam Nut, 1/2-20
14	731-1292	1		Snow Track
15	736-0272	1	S	Flat Washer, .5 x 1 x .06
16	731-1538A	1	/P	Track Drive Wheel
17	631-0032	1	/P	Track Idler Wheel
18	750-0995	1		Spacer, .51 ID x .75 OD x 1.67
19	738-0140	1	S	Screw, .435 x .178-5/16 x .56
20	736-0406	1	S	Flat Washer, .442 x 1.38 x .06
21	750-0909	1		Spacer, .51 ID x 1 OD x 1.34
22	712-0429	1	S	Hex Nut, 5/16-18
23	618-0044	1		LH Dogg Assembly
24	684-0024	1	S	Idler Axle Assembly
25	710-1231	1		Eye Bolt, 5/16-18 x 3
26	784-5639	1		Track Side Plate
27	711-0911	1		Actuator Shaft
28	713-0233	1	/P	Chain
29	618-0169	1	S	Track/Steering Shaft Assy
30	684-0154	1	S	Track Hub Assy w/Fitting
31	713-0437	1		Chain
32	741-0339	1	S	Flange Bearing
33	736-0287	1	S	Flat Washer, .793 x 1.24 x .06
34	611-0053	1		Axle Assembly
35	750-0904	1		Spacer, .514 x .630 x 1.59
36	618-0043	1		RH Dogg Assembly
37	750-0903	1	S	Spacer, .514 x .630 x 2.44
38	732-0209	1	S	Ext. Spring
39	710-0602	1	/P	Tap Screw, 5/16-18 x 1
40	719-0295A	1	/P	Track Housing
41	746-0948	1	S	Steering Cable
42	746-0950	1	S	Steering Trigger
43	712-0127	1	/P	Flange Nut
44	710-1233	1	/P	Screw, #10-24 x 1.375
45	716-0114	1	S	Retaining Ring
46	618-0046	1	S	Carrier Assembly
47	717-1211	1	S	Ring Gear
48	716-0115	1	S	Retaining Ring
49	713-0414	1		13-Tooth Sprocket
50	711-0912	1		Track Steering Drive Shaft
51	736-0502	1	S	Flat Washer, .58 x 1.06 x .02
52	736-0336	1	S	Flat Washer, 5/8 x 1 x .03
53	715-0120	1	S	Flat Washer, 9/16 x 1

31AH7E3F190 Snow Boss 950T (2000)
Track Assembly And Drive

Ref #	Part Number	Qty	S/P/F	Description
54	717-1209	1	S	12-Tooth Gear
55	717-1210	1	S	18-Tooth Gear
56	737-3000	1	S	Grease Fitting, 3/16" Drive